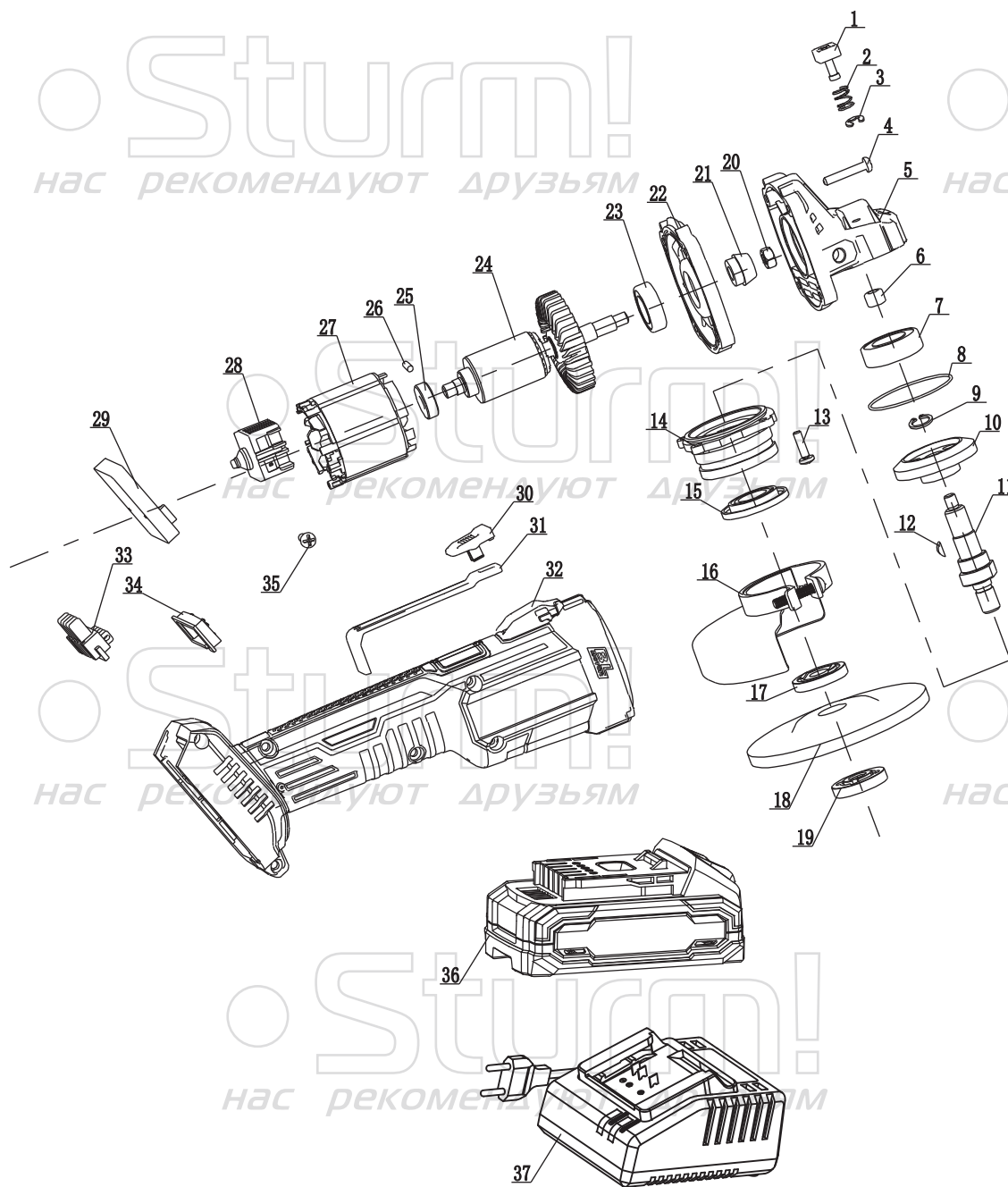


CAG1812



NO.	DESCRIPTION
1	SPINDLE LOCK BUTTON
2	SPRING
3	CIRCLIP
4	SCREW
5	GEAR BOX
6	NEEDLE BEARING
7	BEARING 6201Z
8	O-RING
9	CIRCLIP
10	GEAR
11	SPINDLE
12	KEY
13	SCREW
14	FRONT COVER
15	ANTI-DUST COVER
16	GUARD
17	DOWN FLANGE
18	GRINDING DISC
19	UPPER FLANGE
20	NUT M8
21	PINION GEAR
22	MIDDLE COVER
23	BEARING 629Z
24	ROTOR
25	BEARING 607Z
26	RUBBLE PIN
27	STATOR
28	SWITCH
29	MOTOR PCB
30	SWITCH BUTTON
31	SWITCH POLE
32	HOUSING
33	CONNECTION BOARD
34	COVER
35	SCREW
36	BATTERY PACK
37	CHARGER